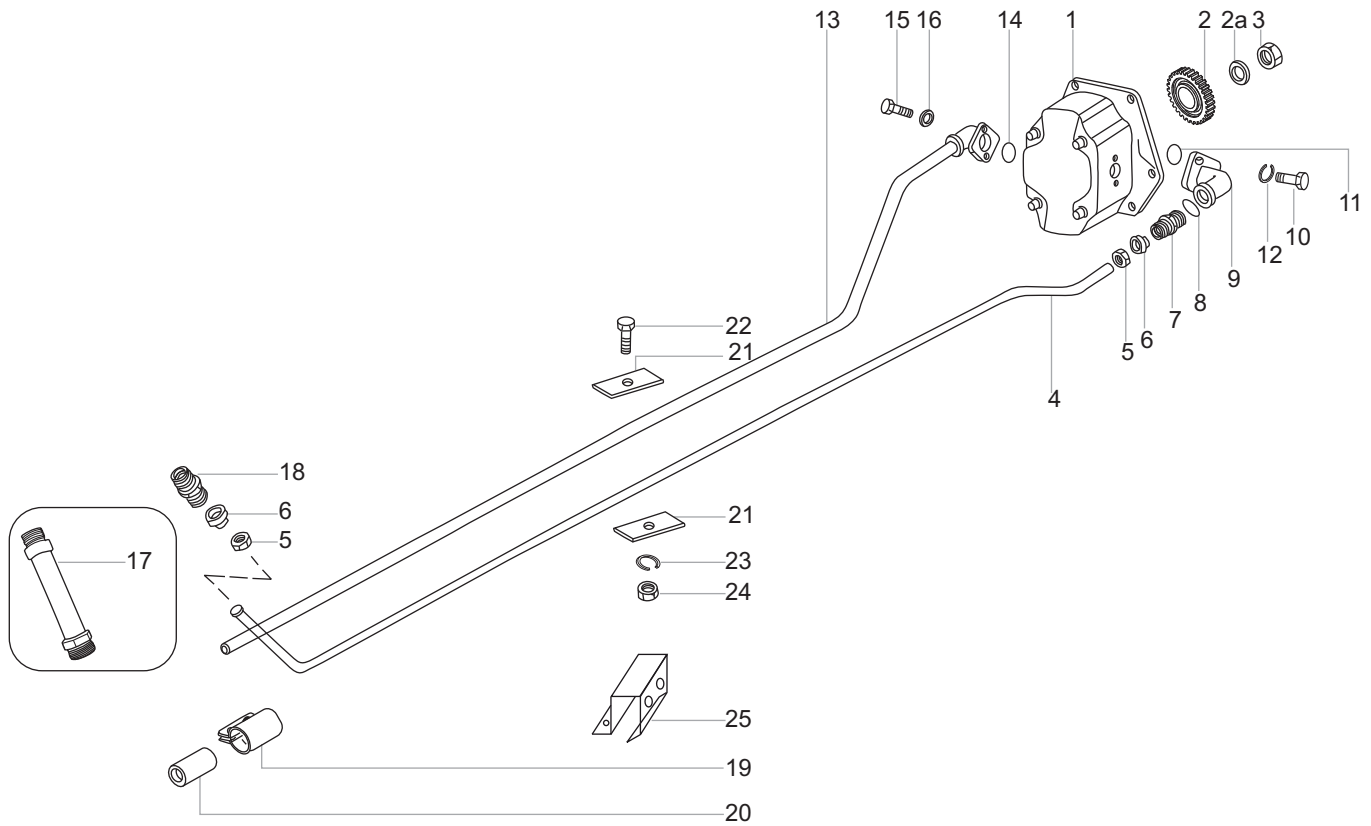


# HYDRAULICS



# Pipes - Suction & Pressure For Non P/S Dry Brakes Except 595 DI

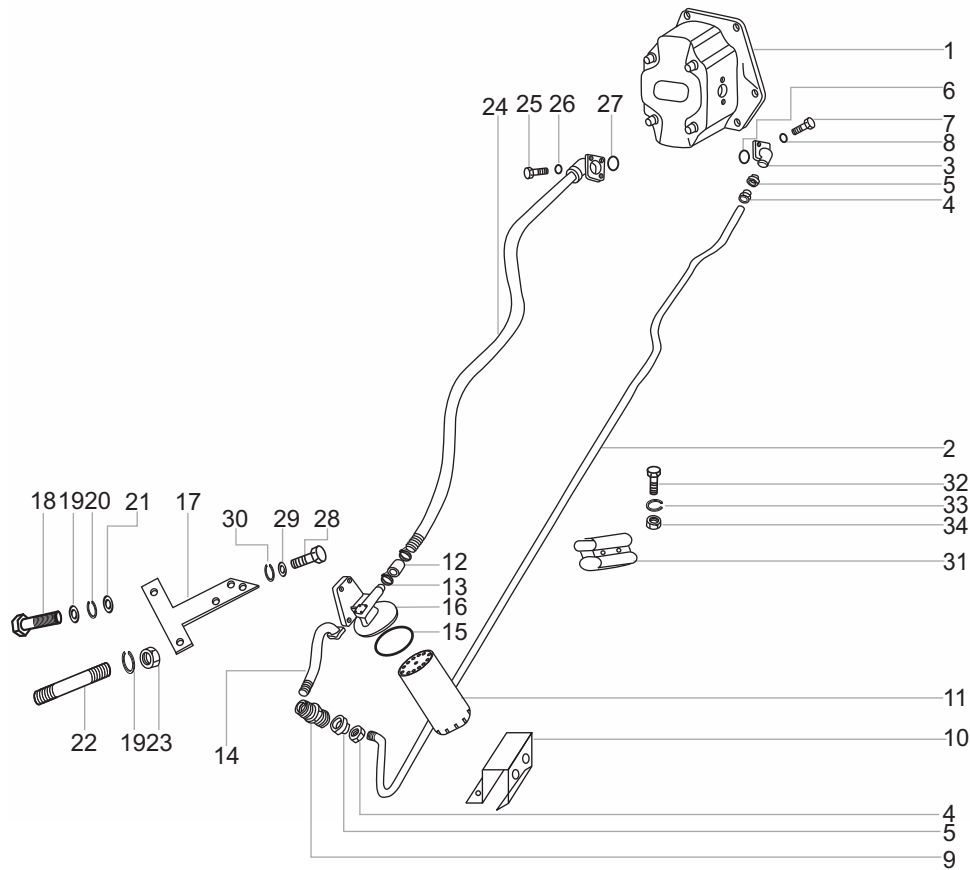


PART NUMBER	REF.	DESCRIPTION OF PART	QUANTITY		TYPE	REVISION / REMARKS
			60HP	40HP		
001121094R91	1	ASSY. Pump 12 cc - Make - DOWTY	1	1	R	A/192/F08/51
007202501B91	◆	ASSY. Pump 12 cc - Make - MICO	1	1	R	PA/47/F10/25
000704331R2	2	PINION Hydraulic Pump - 255 DI	-	1	R	
007201531B1	2	PINION Hydraulic Pump - All Models Except 255 DI	1	1		E/103/F10/05
000706072R1	2a	WASHER	1	1		
001121174R1	3	NUT Lock	1	1	R	
005552722R1	4	PIPE Pressure - 255 DI	-	1	R	
007605330B92	4	PIPE Pressure - 3 DI Except 295 DI	-	1		R/24/F10/37
007602816B2	4	PIPE Pressure - 295 DI	-	1		P/52/F11/19
007604545B2	4	PIPE Pressure - 475, 575 NST MKM & DLX	1	1		P/52/F11/19
007537023B92	4	PIPE Pressure - 4 DI BP NBP MKM & DLX	1	1		P/52/F11/19
<b>007604168B2</b>	<b>4</b>	<b>PIPE Pressure - 595 DI</b>	<b>1</b>	<b>-</b>		<b>P/81F14/78</b>
005553133R1	5	NUT For 18 mm Dia. Pipe	2	2		
000705520R2	5	NUT For 12.7 mm Dia. Pipe	2	2	R	
007205110B1	6	FERRULE For 18 mm Dia. Pipe	2	2		
007205108B1	6	FERRULE For 12.7 mm Dia. Pipe	2	2		
007202474C1	7	COUPLING Male Stud	1	1		
000704337R1	8	WASHER	1	1	R	
007201268A1	9	MANIFOLD Pressure Hydraulic Pump - 255, 295, 595 DI	1	1	R	A/143/F06/14
000051565D01	9	MANIFOLD Pressure Hydraulic Pump - 265, 275, 475, 575 DI	1	1	R	A/188/F08/42
001082252R1	10	SCREW Allen Cap	2	2	R	A/188/F08/42

◆ Alternate Part Number



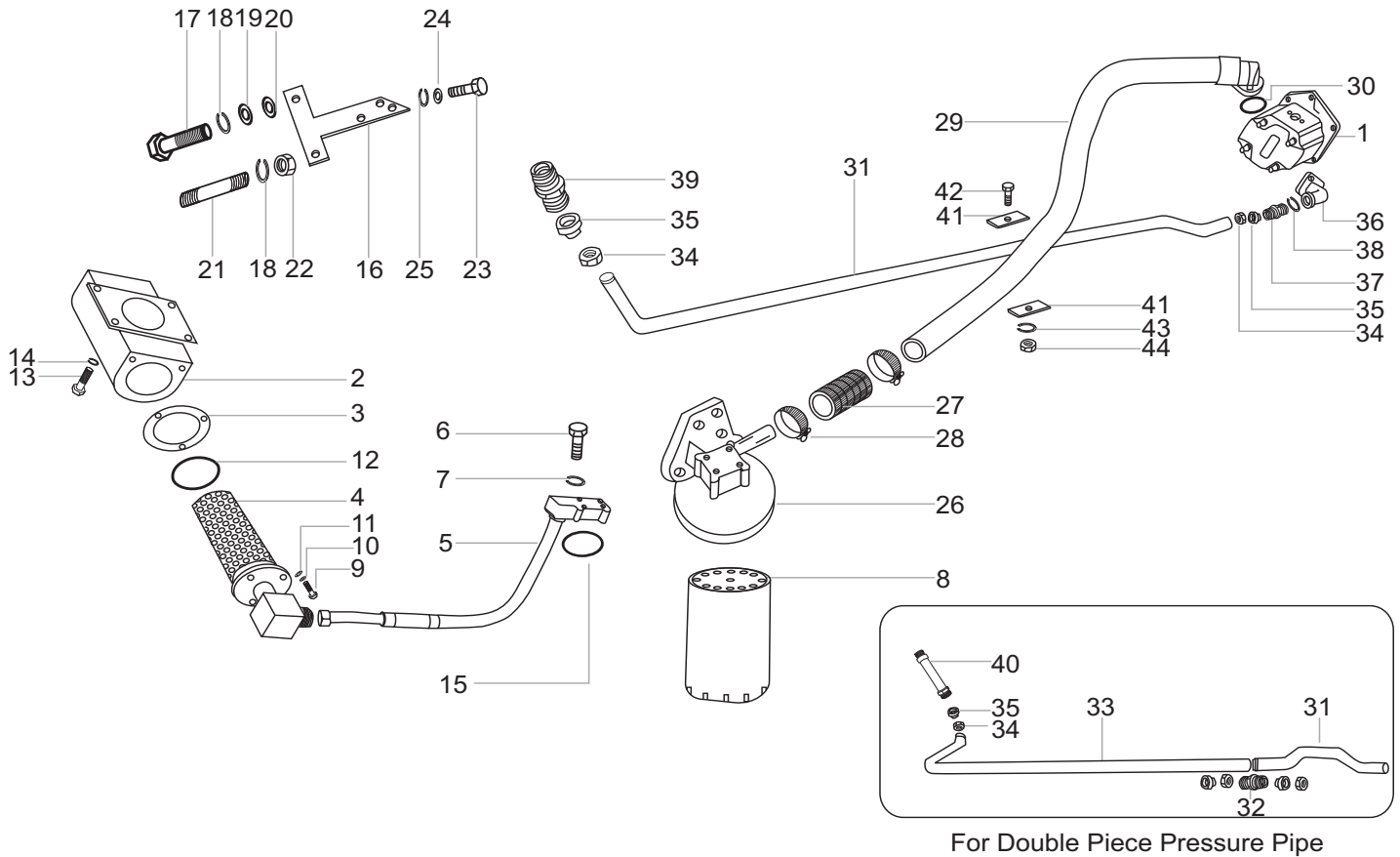
# Pipes - Suction & Pressure For 595 DI Non P/S Dry Brakes



PART NUMBER	REF.	DESCRIPTION OF PART	QUANTITY		TYPE	REVISION / REMARKS
			60HP	40HP		
001121094R91	1	ASSY. Pump 12 cc - Make - DOWTY	1	-	R	A/192/F08/51
<a href="#">007604168B2</a>	2	PIPE Pressure	1	-		<a href="#">P/81/F14/78</a>
007201268A1	3	MANIFOLD Pressure Hydraulic Pump	1	-	R	
000705520R2	4	NUT	2	-	R	
007205108B1	5	FERRULE	2	-		
000377952R1	6	O' Ring	1	-	R	P/45/F09/42
001082252R1	7	SCREW Allen	2	-	R	A/188/F08/42
000706072R1	8	WASHER	2	-	R	A/188/F08/42
000704336R2	9	COUPLING Male Pressure Pipe	1	-	R	
007538248B91	10	GUARD Pipe	1	-		
007203421B91	11	FILTER Suction	1	-		R/24/F10/37
000051191D02	12	HOSE Suction Filter	1	-	R	A/203/F09/26
000051193D01	13	CLIP Hose Suction Filter	2	-	R	M/19/F05/12
007605965B11	14	PIPE Suction Filter to Strainer - RCRPTO	1	-		
007202926B11	14	PIPE Suction Filter to Strainer - Non RCRPTO	1	-		
000051188D01	15	O' Ring Suction Manifold Filter	1	-	R	
000051180D01	16	HEAD Filter	1	-	R	A/190/F08/45
007601975B1	17	BRACKET Filter Mtg. - RCRPTO	1	-	R	
007201824B1	17	BRACKET Filter Mtg. - NON RCRPTO	1	-	R	M/19/F05/12
000179883	18	BOLT Filter Bracket Mtg.	1	-	R	
001082014R2	19	WASHER Spring lock	2	-	R	



# Pipes - Suction & Pressure For Non P/S OIB



PART NUMBER	REF.	DESCRIPTION OF PART	QUANTITY		TYPE	REVISION / REMARKS
			60HP	40HP		
001121094R91	1	ASSY. Pump 12 cc - Make - DOWTY	1	1	R	A/192/F08/51
007202501B91	◆	ASSY. Pump 12 cc - Make - MICO	1	1	R	PA/47/F10/25
006510383C1	2	BOX Strainer	1	1		A/261/F13/51
007201350C1	3	GASKET Suction Strainer	1	1	R	R/24/F10/37
007202131B2	4	STRAINER Suction	1	1	R	AA/199F09//20
007207071B1	4	STRAINER Suction OIB Assy.	1	1	R	P/79/F14/76
007205483B91	5	PIPE Suction - Filter To Strainer - All Except 475 BP RCRPTO	1	1		P/62/F12/35
007207101B91	5	PIPE Suction Strainer To Filter (295 OIB Non Power steering)	1	1		P/62/F12/35
007207104B91	5	PIPE Suction Strainer To Filter(All OIB Non Power Steering except 295 DI)	1	1		P/62/F12/35
007606415B91	5	PIPE Suction - Filter To Strainer - 475 BP RCRPTO	1	1		
007200618C1	6	SCREW Allen	4	4	R	M/19/F05/12
000706072R1	7	WASHER	4	4	R	
007203421B91	8	ASSY. Suction Filter - All Except 475 BP RCRPTO	1	1		R/24/F10/37
000013231P04	8	ASSY. Suction Filter - 475 BP RCRPTO	-	1		
000022271RD	9	BOLT	3	3	R	M/19/F05/12
001233808R1	10	WASHER Spring Lock	3	3	R	
000751472R1	11	WASHER Plain	3	3	R	A/229/F11/06
000704348R1	12	'O' Ring Strainer	1	1	R	R/24/F10/37
000179838	13	BOLT Strainer Box Mtg.	4	4	R	M/19/F05/12
001082012R2	14	WASHER	4	4	R	M/19/F05/12
40.252	*	GASKET Liquid for Strainer Box Mtg.	A/R	A/R	R	M/19/F05/12

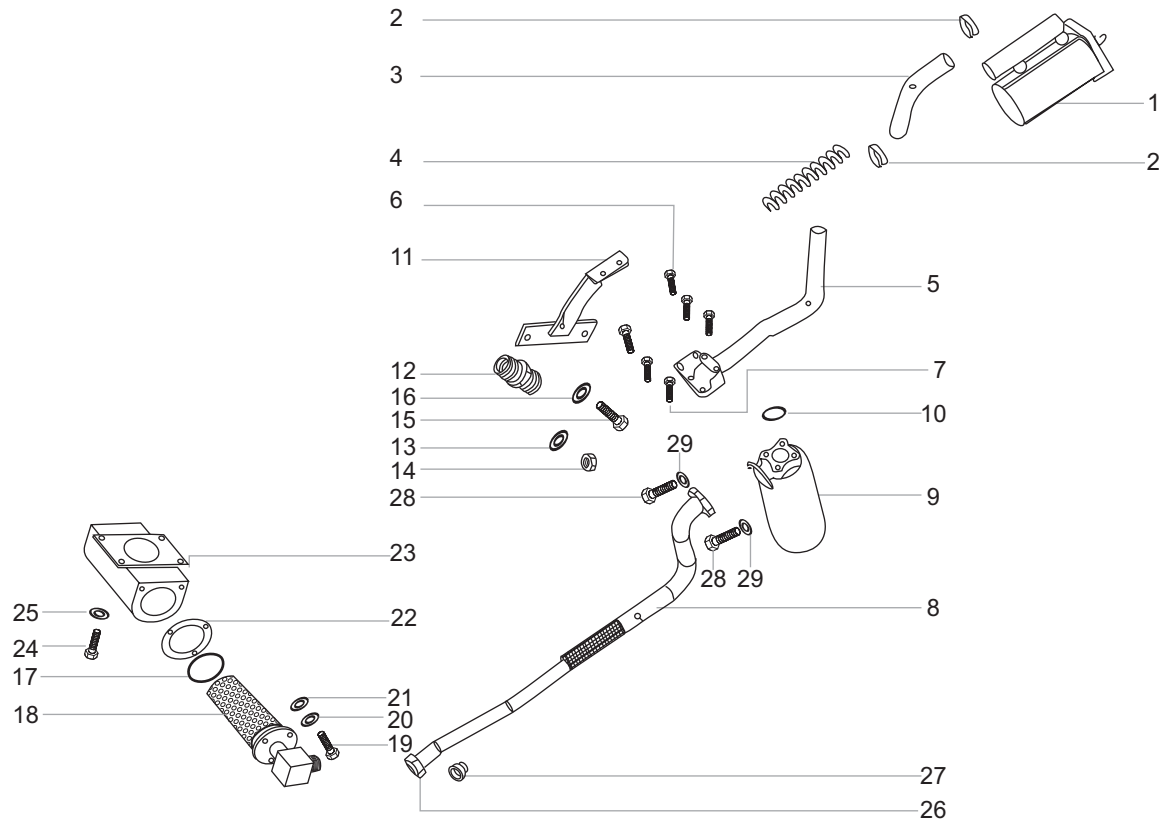
◆ Alternate Part Number / \* Parts Not Illustrated

# Pipes - Suction & Pressure For Non P/S OIB

PART NUMBER	REF.	DESCRIPTION OF PART	QUANTITY		TYPE	REVISION / REMARKS
			60HP	40HP		
000051188D01	15	'O' Ring Suction Manifold - Filter	1	1	R	
007201824B1	16	BRACKET Filter Mounting	1	1	R	M/19/F05/12
000179883	17	BOLT Filter Bracket Mtg.	1	1	R	M/19/F05-12
001082014R2	18	WASHER Spring Lock	2	2	R	
000050961D99	19	WASHER Spring Lock	1	1		
001099817R1	20	WASHER Plain	1	1	R	
008000631B1	21	STUD Filter Bracket Mtg.	1	1	R	M/19/F05/12
000120378	22	NUT	1	1	R	
000179840	23	BOLT Filter Mtg.	3	3	R	
001082012R2	24	WASHER Spring lock	3	3	R	
000120394	25	WASHER Plain	3	3	R	
000051180D01	26	HEAD Filter	1	1	R	A/190/F08/45
000051191D02	27	HOSE Suction Filter	1	1	R	A/203/F09/26
000051193D01	28	CLIP Hose Suction Filter	2	2	R	M/19/F05/12
007204024B91	29	PIPE Suction (Pump End) - All 3 DI	-	1		
007201805B91	29	PIPE Suction (Pump End) - All 4 DI	1	1	R	M/19/F05/12
000051187D01	30	'O' Ring Suction Manifold - HYD Pump	1	1	R	M/19/F05/12
007605330B92	31	PIPE Pressure (Single Piece) -All 3 DI Except 295 DI	-	1		P/52/F11/19
007204036B2	31	PIPE Pressure (Single Piece) - 295 DI	-	1		A/220/F10/34
007604168B2	31	PIPE Pressure (Single Piece) - 595 DI	1	-		P/81/F14/78
<del>007606292B92</del>	<del>31</del>	<del>PIPE Pressure (Pump End) - All 4DI</del>	<del>1</del>	<del>1</del>		<del>P/55/F11/37</del>
007608991B91	31	PIPE Pressure Pump To Control Valve Single Pice For 475, 575	1	1		P/69/F13/55
<del>005559498B1</del>	<del>32</del>	<del>CONNECTOR</del>	1	1		
<del>007606293B92</del>	<del>33</del>	<del>PIPE Pressure (C.V. End) - All 4DI</del>	<del>1</del>	<del>1</del>		<del>P/55/F11/37</del>
005553133R1	34	NUT	2	2		
007205110B1	35	FERRULE	2	2		
000051565D01	36	MANIFOLD Pressure Hydraulic Pump - All Except 295 595 DI	1	1	R	
007201268A1	36	MANIFOLD Pressure Hydraulic Pump - 295 595 DI	1	1		
007202474C1	37	COUPLING Male Stud	1	1		
000704337R1	38	WASHER	1	1	R	
000704336R2	39	COUPLING Male Pressure Pipe	1	1		
007202476C1	40	ADAPTER Pressure Pipe	1	1		
000706405R2	41	CLAMP Hyd Suction / Pressure Pipe - NST MKM & DLX	2	2	R	
000051256D01	41	CLAMP Hyd Suction / Pressure Pipe - BP NBP MKM & DLX & 595 DI	2	2	R	M/19/F05/12
000179800	42	BOLT	2	2	R	
001082010R2	43	WASHER	2	2	R	
000120375	44	NUT	2	2	R	



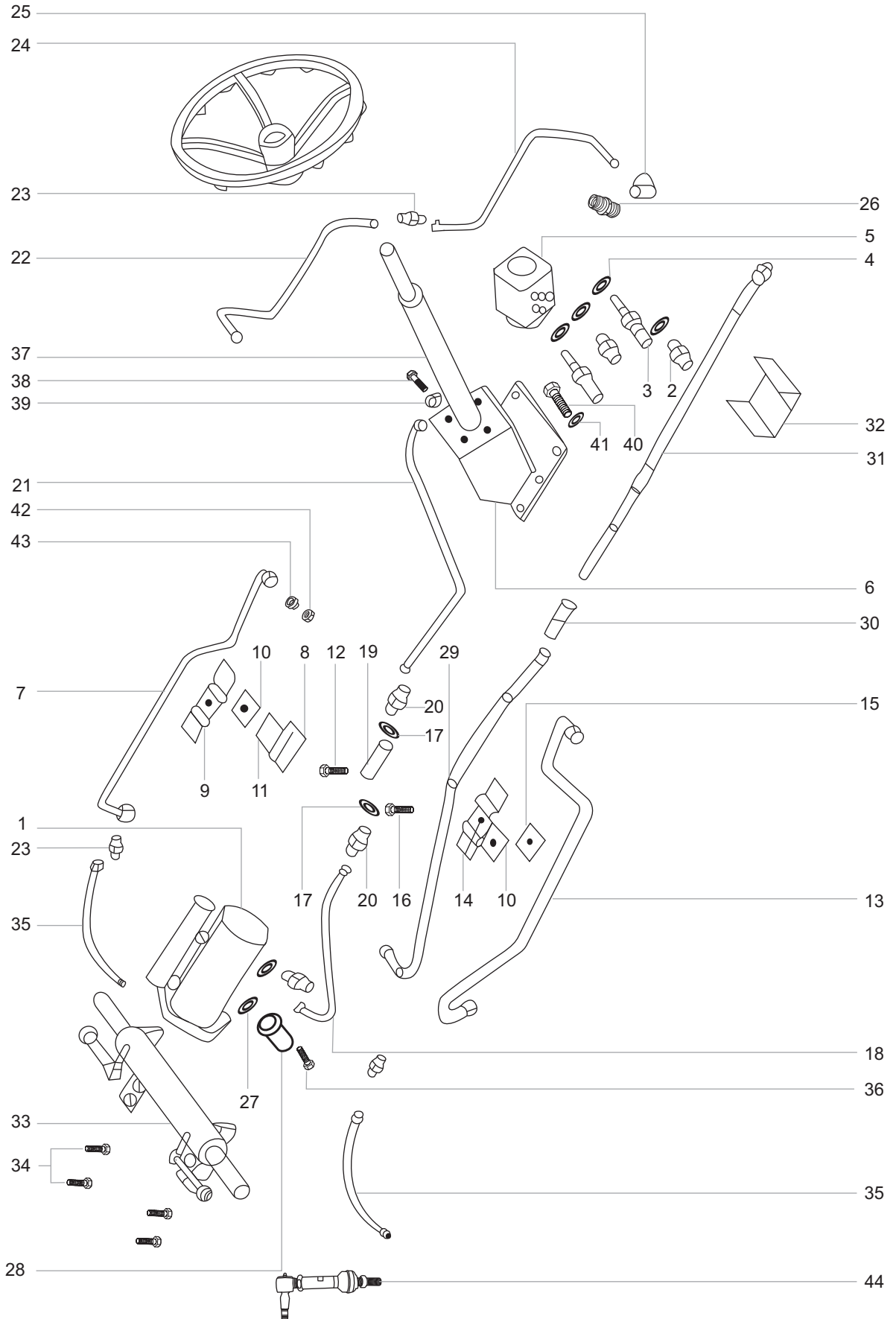
# Pipes - Suction For Power Steering Model



PART NUMBER	REF.	DESCRIPTION OF PART	QUANTITY		TYPE	REVISION / REMARKS
			60HP	40HP		
007205701B91	1	PUMP Tandem - 265, 275, 595 DI, 475 NBP DLX & 295 RCRPTO P/S <i>Make - DOWTY</i>	1	1		
007205281B91	1	PUMP Tandem - 295 Non RCRPTO P/S <i>Make - DOWTY</i>	-	1		
007201885C92	1	PUMP Tandem - 475, 575 DI P/S <i>Make - EATON</i>	1	1		
000013499P04	2	Hose clip for suction Pipe	1	1		R/24/F10/37
007201889C1	3	Hose Suction for Dia 35 Pipe	1	1		R/24/F10/37
007606086B1	4	Hose Spring of Suction Pipe	1	1		
007606879B11	5	PIPE Suction Pump To Filter - 295 RCRPTO P/S	-	1		
007606160B11	5	PIPE Suction Pump To Filter - 295 P/S, 475 NBP DLX & 275 RCRPTO P/S	-	1		
007607192B11	5	PIPE Suction Pump To Filter - 595 P/S	1	-		
007607402B91	5	PIPE Suction Pump To Filter - 265, 275 P/S Non RCRPTO	-	1		
007606223B11	5	PIPE Suction Pump To Filter - 475, 575 NST RCRPTO P/S	1	1		
007607475B91	5	PIPE Suction Pump To Filter - 575 Northstar	1	-		
007204840B1	5	PIPE Suction Pump To Filter - 475, 575 BP MKM P/S	1	1		R/24/F10/37
007606090B11	5	PIPE Suction Pump To Filter - 475, 575 NST DLX P/S	1	1		
000020309E05	6	BOLT	2	2	R	
000020256E05	7	BOLT Flanged Hex Head	6	6		
007606415B91	8	PIPE Suction Filter To Strainer - 275, 475, 575 RCRPTO P/S	1	1		
007606878B11	8	PIPE Suction Filter To Strainer - 295 RCRPTO P/S	-	1		
007204839B1	8	PIPE Suction Filter To Strainer - 265, 275, 295, 595 & (475, 575 BP MKM)	1	1		R/24/F10/37
007606091B11	8	PIPE Suction Filter To Strainer - 475, 575 NST DLX P/S	1	1		



# Pipes - Pressure For Power Steering Model



# Pipes - Pressure For Power Steering Model

PART NUMBER	REF.	DESCRIPTION OF PART	QUANTITY		TYPE	REVISION / REMARKS
			60HP	40HP		
007205701B91	1	PUMP Tandem (12+8 cc) - 265, 275, 595 DI, 475 NBP DLX & 295 RCRPTO P/S Make - DOWTY	1	1		
007205281B91	1	PUMP Tandem (12+8 cc) - 295 Non RCRPTO P/S Make - DOWTY	-	1		
007201885C92	1	PUMP Tandem (18+8 cc) - 475, 575 DI P/S Make - EATON	1	1		
000051410D01	2	ADAPTOR LR Port	1	1		R/24/F10/37
007200811C1	3	ADAPTOR PT Port	1	1		R/24/F10/37
000051411D01	4	O - Ring	4	4		R/24/F10/37
007205101B91	5	HYD STEERING UNIT - 295 P/S, 575 BP P/S & 575 NST RCRPTO P/S	1	1		
007205647B91	5	HYD STEERING UNIT - All Except Above Mention	1	1		
005559323B93	6	BRACKET Steering Mtg. 63 Degree - All Except 265, 475 BP P/S & 275 P/S RCRPTO	1	1		P/72/F14/07
007605920B12	6	BRACKET Steering Mtg 51 Degree - 265, 475 BP P/S & 275 P/S RCRPTO	1	1		P/72/F14/07
005559323B92	6	BRACKET Steering Mtg. 63 Degree - 265, 275 P/S RCRPTO BP Ergo	1	1		C/04/F14/67
<del>007607407B91</del>	<del>7</del>	<del>PIPE HSU To Power Steering Cyl LH - 265 DI</del>	<del>-</del>	<del>1</del>		
007606155B91	7	PIPE HSU To Power Steering Cylinder LH - 265 DI BP Ergo	-	1		C/04/F14/67
007607409B91	7	PIPE HSU To Power Steering Cyl LH - 275 Non RCRPTO	-	1		
007606155B91	7	PIPE HSU To Power Steering Cyl LH - 275 RCRPTO & 295 DI	-	1		
007606045B91	7	PIPE HSU To Power Steering Cyl LH - 475, 575 NST, 575 Northstar	1	1		
007606799B91	7	PIPE HSU To Power Steering Cyl LH - 475 BP NBP, 575 BP, 595 DI	1	1		
007536258B1	8	BRACKET for L port pipe	1	1		
007201589D1	9	PLATE Top Clamp	1	1		P/86/F14/105
007201304C1	10	RUBBER	1	1		P/86/F14/105
007201584D1	11	PLATE Bottom Clamp	1	1		P/86/F14/105
000020312E05	*	BOLT HEX. M6 X 1.00 X 20.5 X 8.8	1	1		P/86/F14/105
001121502R1	12	SCREW	2	2		
007607406B91	13	PIPE HSU To Power Steering Cyl RH - 265, 275 Non RCRPTO	-	1		
007606156B91	13	PIPE HSU To Power Steering Cyl RH - 295 DI & 275 RCRPTO	-	1		
007606326B1	13	PIPE HSU To Power Steering Cyl RH - 475, 575 BP MKM, 475 NBP DLX	1	1		
007606044B91	13	PIPE HSU To Power Steering Cyl RH - 475, 575 NST DLX & 575 Northstar	1	1		
007606252B91	13	PIPE HSU To Power Steering Cyl RH - 595 DI	1	-		
007201579D1	14	CLAMP For Pipe	1	1		
007201589D1	15	CLAMP Plate	1	1		
000020311E05	16	BOLT Clamp	1	1		
000704337R1	17	WASHER	3	3	R	
007607404B91	18	PIPE Cpte Pump To HSU - (Pump End) - 265, 275 P/S Non RCRPTO	-	1		
007606158B91	18	PIPE Cpte Pump To HSU - (Pump End) - 295 DI & 275 RCRPTO P/S	-	1		
007606088B91	18	PIPE Cpte Pump To HSU - (Pump End) - 475, 575 NST DLX & 575 Northstar	1	1		
007204836B1	18	PIPE Cpte Pump To HSU - (Pump End) - 475 BP, NBP DLX	-	1		R/24/F10/37
007606239B91	18	PIPE Cpte Pump To HSU - (Pump End) - 595 DI	1	-		

# Pipes - Pressure For Power Steering Model

PART NUMBER	REF.	DESCRIPTION OF PART	QUANTITY		TYPE	REVISION / REMARKS
			60HP	40HP		
007204836B1	18	PIPE Cpte Pump To HSU - (Pump End) - 475, 575 NST DLX RCRPTO P/S	1	1		
007203739B91	19	VALVE Check	1	1		R/24F10/37
000051686D01	20	COUPLING Male stud	1	1		A/188/F08/42
<del>007607405B91</del>	<del>21</del>	<del>PIPE Cpte Pump To HSU - (HSU End) - 265 P/S</del>	<del>-</del>	<del>1</del>		
007607408B91	21	PIPE CPTE. Pump To HSU - (HSU End) - 265 P/S Ergo	-	1		C/04/F14/67
007607408B91	21	PIPE Cpte Pump To HSU - (HSU End) - 275 P/S Non RCRPTO	-	1		
007606157B91	21	PIPE Cpte Pump To HSU - (HSU End) - 275 RCRPTO P/S & 295 P/S	-	1		
007607404B91	21	PIPE CPTE. Pump To HSU - (HSU End) - 275 RCRPTO P/S Ergo	-	1		C/04/F14/67
007606862B91	21	PIPE Cpte Pump To HSU - (HSU End) - 295 RCRPTO P/S	-	1		
007204939B1	21	PIPE Cpte Pump To HSU - (HSU End) - 475 BP	-	1		R/24/F10/37
007607456B91	21	PIPE Cpte Pump To HSU - (HSU End) - 475 NBP	-	1		
007606087B91	21	PIPE Cpte Pump To HSU - (HSU End) - 475, 575 NST DLX & 575 BP & Northstar	1	1		
007607456B91	21	PIPE Cpte Pump To HSU - (HSU End) - 595 DI	1	-		
007607678B91	21	PIPE Cpte Pump To HSU - (HSU End) - 475, 575 NST DLX RCRPTO P/S	1	1		
<del>007606768B91</del>	<del>22</del>	<del>PIPE Return From HSU To Transcase - 265, 475 BP &amp; 275 RCRPTO P/S</del>	<del>-</del>	<del>1</del>		<del>R/24/F10/37</del>
007606767B92	22	PIPE Return From HSU To Transcase - 265, 475, BP & 275 RCRPTO P/S Ergo	-	1		C/04/F14/67
007606767B91	22	PIPE Return From HSU To Transcase - 275, 475 NBP DLX & 575 BP	1	1		R/24/F10/37
007606767B92	22	PIPE Return From HSU To Transcase - 275, 475 NBP DLX & 575 BP (Without Elbow)	1	1		P/80/F14/77
007607107B91	22	PIPE Return From HSU To Transcase - 595 DI	1	-		
007606046B91	22	PIPE Return From HSU To Transcase 1 of 2 - 295, 475, 575 NST DLX & 575 Northstar	1	1		
000051685D01	23	COUPLING Staright	1	1		R/24/F10/37
007606821B91	24	PIPE Return From HSU To Transcase 2 of 2 - 295, 475 NST DLX	-	1		
008001117B91	24	PIPE Return From HSU To Transcase 2 of 2 - 575 NST DLX & 575 Northstar	1	-		R/24/F10/37
008000766G1	25	ELBOW	1	1		R/24/F10/37
000051687D01	26	COUPLING Male stud	1	1		
000377952R1	27	O-Ring for Tandem Pump	1	1	R	P/45/F09/42
007606096B1	28	ADAPTOR Pressure Pipe	1	1		
007607364B91	29	PIPE Pressure Pump To C. V. End - 265 275 P/S Non RCRPTO	-	1		
007606159B1	29	PIPE Pressure Pump To C. V. End - 295 NST DLX P/S	-	1		
007606182B1	29	PIPE Pressure Pump To C. V. End - 595 NST DLX P/S	1	-		
007606138B91	29	PIPE Pressure - 1 Pump End - 475, 575 NST DLX P/S Non RCRPTO	1	1		
007607269B91	29	PIPE Pressure - 1 Pump End - 475 BP RCRPTO P/S	-	1		
007204837B1	29	PIPE Pressure - 1 Pump End - All Except Above Mention	1	1		R/24/F10/37
005559498B1	30	CONNECTOR For Pressure Pipe	1	1		
007606077B91	31	PIPE Pressure - 2 C. V. End - 475, 575 NST DLX P/S Non RCRPTO	1	1		
007606139B1	31	PIPE Pressure - 2 C. V. End - All Except Above Mention	1	1		R/24/F10/37
005558325R94	32	GUARD Pipe	1	1	R	A/155/F06/37
007207287B91	33	CYLINDER Power Steering - All Except 295, 595 DI (Wipro)	1	1		O/32/F14/107
007207765B91	33	CYLINDER Power Steering - 295, 595 DI (Make Wipro)	1	1		O/32/F14/107





# Lift Housing For Hy-Tec Hydraulics

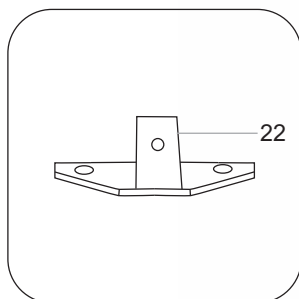
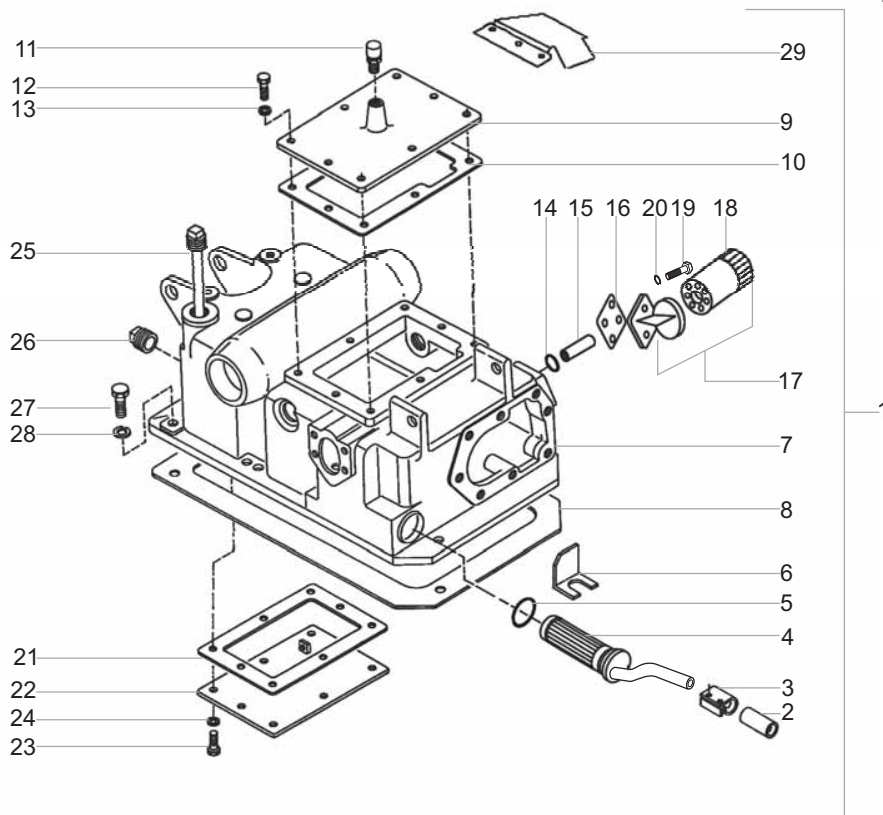


Plate Bottom Cover Hyd. Hsg. - OIB



PART NUMBER	REF.	DESCRIPTION OF PART	QUANTITY		TYPE	REVISION / REMARKS
			60HP	40HP		
007204042B91	1	ASSY. HY-TEC Hydraulics - 595 DI NST DLX OIB	1	-		
007207320C91	1	ASSY. HY-TEC Hydraulics - 595 DI BP OIB Ergo	1	-		C/05/F14/96
007203555B91	1	ASSY. HY-TEC Hydraulics - 595 DI NST DLX Dry Brakes	1	-		
007204041B91	1	ASSY. HY-TEC Hydraulics - 575 DI NST DLX OIB	1	-		
007203679B91	1	ASSY. HY-TEC Hydraulics - 575 DI NST DLX Dry Brakes	1	-		
007207316B91	1	ASSY. HY-TEC Hydraulics For 575 DI BP Ergo OIB	1			U/65/F14/27
007207317B91	1	ASSY. HY-TEC Hydraulics For 575 DI BP Ergo Dry Brakes	1			U/65/F14/27
007203028B91	1	ASSY. HY-TEC Hydraulics - 575 BP, Northstar, NST MKM OIB & 475 BP Longer Clutch O/W	1	1		
007207316B91	1	ASSY. HY-TEC Hydraulics - 395 BP OIB Ergo	1	-	-	C/05/F14/96
007203116B91	1	ASSY. HY-TEC Hydraulics - 295 Potato Special & 575 Dry Brakes Except 575 NST DLX	1	1	R	P/40/F08/37
007203680B91	1	ASSY. HY-TEC Hydraulics - 475 DI NST DLX Dry Brake	-	1		
007204040B91	1	ASSY. HY-TEC Hydraulics - 475 NST DLX OIB	-	1		
007203025B91	1	ASSY. HY-TEC Hydraulics - 265, 275, 475 OIB Except NST DLX	-	1		
007207318B91	1	ASSY. HY-TEC Hydraulics - OIB Precision	-	-	1	C/04/F14/67
007207318B91	*	VTU ASSY. Cpte. for HY-TEC Hydraulics - 40 HP - OIB - Precision	-	-	1	C/06/F14/99
<del>007203026B91</del>	<del>1</del>	<del>ASSY. HY-TEC Hydraulics - 255, 265, 275, 295, 475 Dry Brakes Except NST DLX</del>	<del>-</del>	<del>1</del>	<del>R</del>	<del>A/214/F10/15</del>
007207315B91	1	ASSY. HY-TEC Hydraulics - 255, 265, 275, 295, 475 Dry Brakes Except NST DLX NON Precision	-	1	R	C/04/F14/67

\* Parts Not Illustrated

# Lift Housing For Hy-Tec Hydraulics

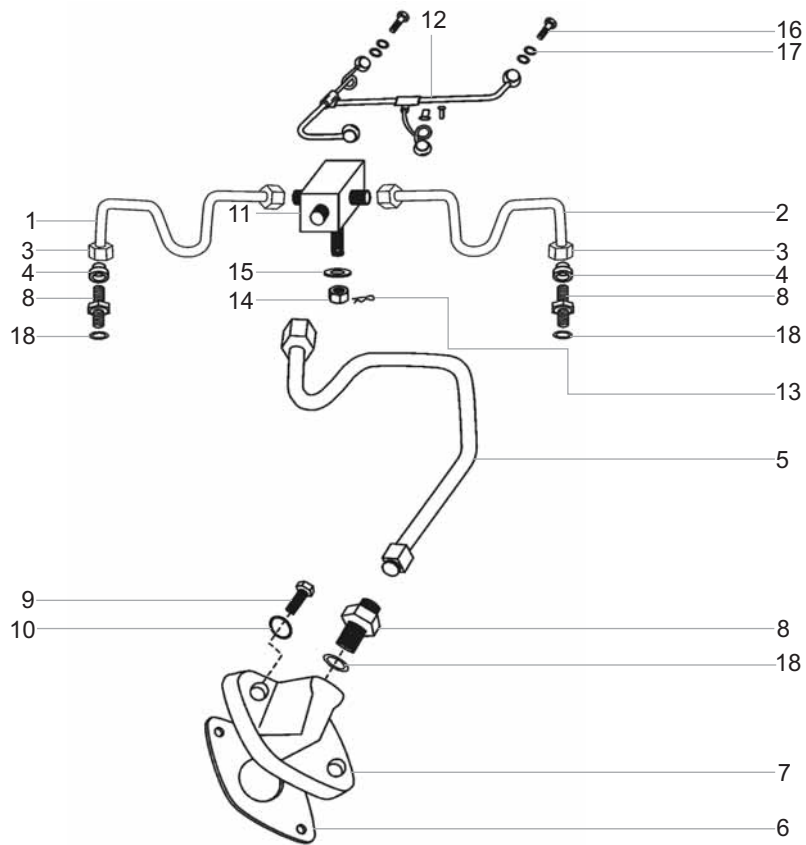
PART NUMBER	REF.	DESCRIPTION OF PART	QUANTITY		TYPE	REVISION / REMARKS
			60HP	40HP		
007207315B91	1	ASSY. HY-TEC Hydraulics - 255, 265, 275, 295, 475 Dry Brakes Except NST DLX NON Precision	-	1	R	C/06/F14/99
<del>007206146B91</del>	<del>1</del>	<del>ASSY. HY-TEC Hydraulics - 265,275,295,475 Dry Brakes</del>	<del>-</del>	<del>1</del>		<del>P/63/F13/04</del>
007207319B91	1	ASSY. HY-TEC Hydraulics - 265,275,295,475 Dry Brakes Precision	-	1		C/04/F14/67
007207319B91	1	ASSY. HY-TEC Hydraulics - 265,275,295 , 475 Dry Brakes Precision	-	1		C/06/F14/99
<del>007203025B91</del>	<del>1</del>	<del>ASSY. HY-TEC Hydraulics - 265,275,295,475 OIB</del>	<del>-</del>	<del>1</del>		<del>P/63/F13/04</del>
007207314B91	1	ASSY. HY-TEC Hydraulics - 265,275,295,475 OIB BP NON Precision	-	1		C/04/F14/67
007207314B91	1	ASSY. HY-TEC Hydraulics - 265,275,295, 475 OIB BP NON Precision	-	1		C/06/F14/99
007203701B91	1	ASSY. HY-TEC Hydraulics - 295 OIB	-	1		
007202107B1	*	PLUG Expansion	1	1		
000704741R2	2	HOSE Suction Filter	1	1	R	A/203/F09/26
005558383R91	3	CLIP Hose	1	1	R	
003044368R96	4	STRAINER Suction Pipe short	1	1	R	
000704348R1	5	O' Ring Suction Strainer	1	1	R	R/24/F10/37
001232555R1	6	STOPPER Suction Filter	1	1	R	M/17/F10/29
007201300A1	7	HOUSING Hydraulics Assy - <i>Dry Brakes Except 595 NST DLX Dry Brakes</i>	1	1	R	
007201351A1	7	HOUSING Hydraulics Assy - <i>OIB Except 595 NST DLX OIB</i>	1	1	R	M/19/F05/12
007201276C1	7	HOUSING Hydraulics Assy - <i>595 NST DLX Dry Brakes</i>	1	-	R	
007200583C1	7	HOUSING Hydraulics Assy - <i>595 NST DLX OIB</i>	1	-	R	
001233550R2	8	GASKET Transmission Cover	1	1		A/224/F10/49
007201523A11	9	PLATE Top Cover Hydraulic Lift Housing - <i>Dry Brakes</i>	1	1	R	
<del>007202183A1</del>	<del>9</del>	<del>PLATE Top Cover Hydraulic Lift Housing - <i>OIB Except NST DLX OIB</i></del>	<del>1</del>	<del>1</del>	<del>R</del>	
007205076B1	9	PLATE Top Cover Hydraulic Lift Housing - <i>NST DLX OIB</i>	1	1		K/94/F13/23
003044367R4	10	GASKET Top Cover plate	1	1		A/232/F11/12
006507427B1	10	SILICON Sealant Top Cover plate	A/R	A/R		P/67/F13/40
005554657R91	11	ASSY. Air Breather - <i>All Except NST DLX OIB</i>	1	1	R	
006512487C1	11	ASSY. Air Breather - <i>OIB</i>	1	1		P/78/F14/48
007205248C1	*	WASHER Dowty	1	1	R	P/78/F14/48
000179814	12	BOLT	8	8	R	
001082011R2	13	WASHER Spring Lock	8	8	R	
000377952R1	14	O' Ring	1	1	R	P/45/F09/42
007202745B1	15	CONNECTOR Valve Return	1	1		A/184/F08/30
001081753R2	16	GASKET Oil Filter	1	1		AA/233/F11/16
007201929A91	17	ASSY. Filter With Adaptor	1	1		
005556040R91	18	FILTER Return Line	1	1	R	
000179841	19	BOLT	2	2	R	
001082011R2	20	WASHER	2	2	R	
000751499R3	21	GASKET Cover Plate Hydraulic Lift Housing	1	1	R	
000050852D01	22	PLATE Bottom Cover Hydraulic Hsg Cpte - <i>All Except OIB</i>	1	1	R	
007201621B11	22	PLATE Bottom Cover Hydraulic Hsg Cpte - <i>OIB</i>	1	1	R	
000179814	23	BOLT	8	8	R	
001082011R2	24	WASHER Spring Lock	8	8	R	

\* Parts Not Illustrated



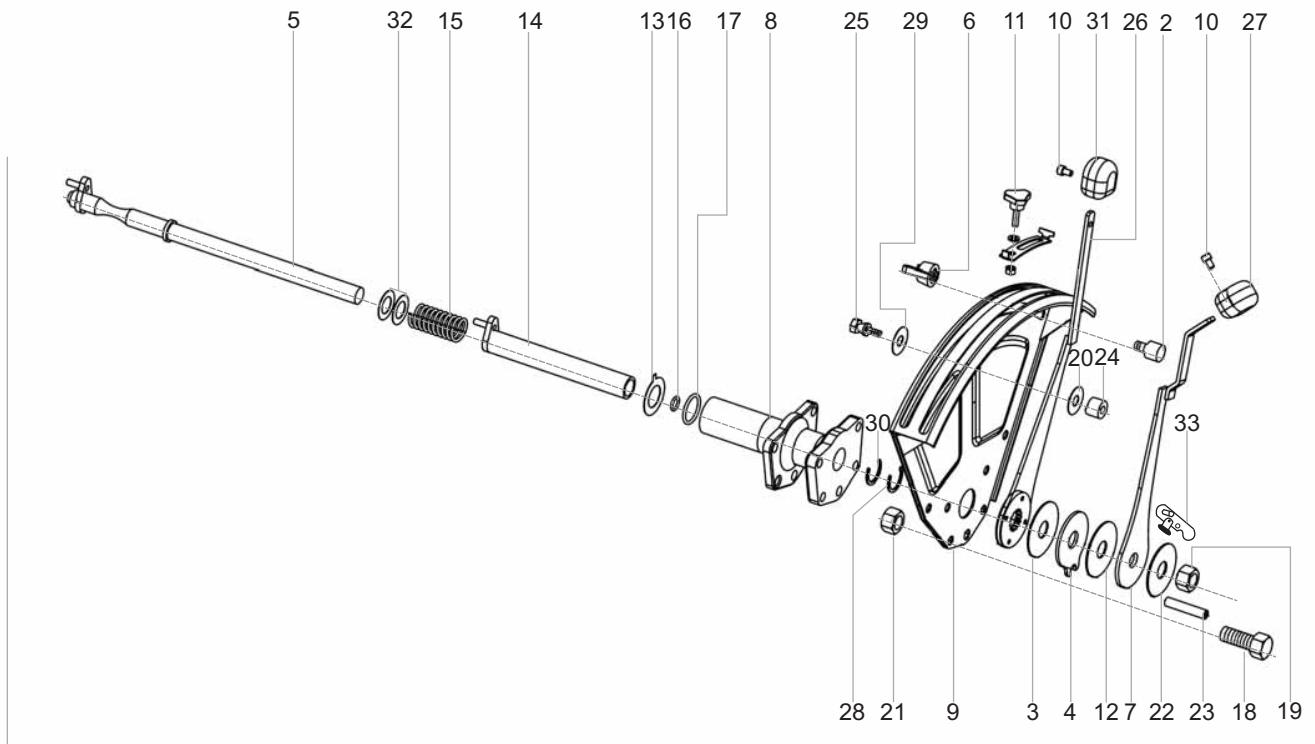


# Pipes Lubritech Brakes - (OIB)



PART NUMBER	REF.	DESCRIPTION OF PART	QUANTITY		TYPE	REVISION / REMARKS
			60HP	40HP		
007605414B91	1	PIPE Pressure RH - <i>All Except 595 DI</i>	1	1		R/24/F10/37
007201851C1	1	PIPE Pressure RH - <i>595 DI</i>	1	-	R	A/206/F09/45
007201613B91	2	PIPE Pressure LH - <i>All Except 595 DI &amp; 295 DI DLX</i>	1	1		M/19/F05/12
007605383B91	2	PIPE Pressure LH - <i>295 DLX</i>	-	1		M/17/F10/29
007201852C1	2	PIPE Pressure LH - <i>595 DI</i>	1	-	R	A/206/F09/45
000051409D01	3	NUT	2	2		
000051567D01	4	FERRULE	2	2		
007201658B91	5	PIPE Return Line To Connector	1	1	R	A/190/F08/45
001081753R2	6	GASKET Oil Filter	1	1		AA/233/F11/16
007200720C1	7	ADAPTOR RLF	1	1	R	M/19/F05/12
007200595C1	8	STUD Male Coupling	1	1	R	M/19/F05/12
000179838	9	BOLT For RLF Adaptor	2	2	R	M/19/F05/12
001082012R2	10	WASHER	6	6	R	M/19/F05/12
007202182A91	11	CONNECTOR 4 Way - <i>595 DI</i>	1	-		A/212/F10/07
007203976B1	11	CONNECTOR 4 Way - <i>All Except 595 DI</i>	1	1		M/15/F10/10
<a href="#">007200674C12</a>	<a href="#">12</a>	<a href="#">PIPE Lift Housing Lubrication</a>	<a href="#">1</a>	<a href="#">1</a>	<a href="#">R</a>	<a href="#">P/60/F12/30</a>
000103361	13	PIN Cotter	1	1	R	
005550753R1	14	NUT	1	1	R	M/15/F10/10
<a href="#">000709840R2</a>	<a href="#">15</a>	<a href="#">WASHER Dowty 4 Way Connector</a>	<a href="#">1</a>	<a href="#">1</a>	<a href="#">R</a>	<a href="#">P/58/F12/24</a>
007200824C1	16	BOLT Banjo	4	4	R	M/17/F10/29
007202321C1	17	WASHER Copper	4	4	R	A/169/F07/37
000061056M01	18	WASHER Copper	4	4	R	M/19/F05/12

# Control Levers - For Hy-Tec Hydraulics

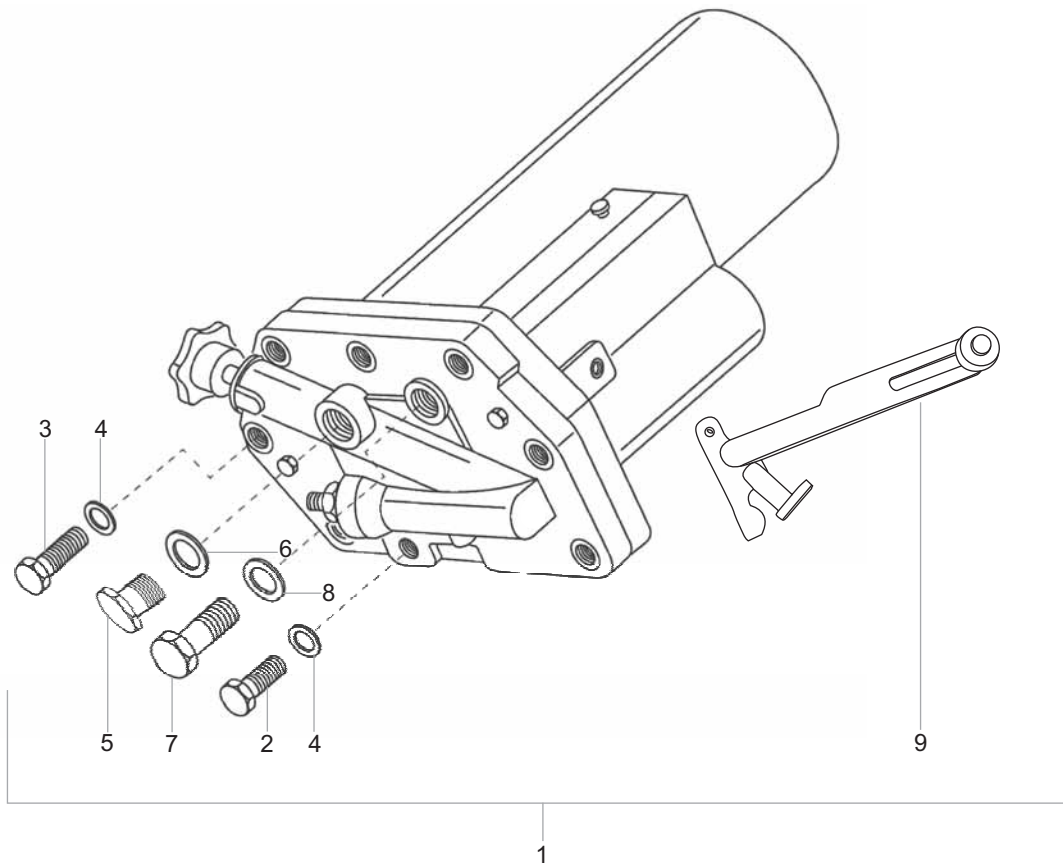


1

PART NUMBER	REF.	DESCRIPTION OF PART	QUANTITY		TYPE	REVISION / REMARKS
			60HP	40HP		
007203425B91	1	ASSY. Quadrant Consist of - NST DLX	1	1		
007206745B91	1	ASSY. Quadrant For 575 DI BP Ergo	1			U/65/F14/27
007206745B91	1	ASSY. Quadrant - BP Ergo	1			C/05/F14/96 C/04/F14/67
007206745B91	1	ASSY. Quadrant - 475 BP Ergo	1			C/06/F14/99
007204859B92	1	ASSY. Quadrant Consist of - All Except NST DLX	1	1		
007202827B1	2	▶ STOPPER Control Lever	1	1		P/40/F08/37
003044397R1	3	▶ DISC Friction Draft Lever	1	1	R	
003044402R1	4	▶ PLATE Friction	1	1	R	
007200672B91	5	▶ CRANKSHAFT Draft Control Assy. - All Except NST DLX C/O	1	1	R	
007203424B11	5	▶ CRANKSHAFT Draft Control Assy. - NST DLX C/O	1	1		
001231334R91	6	▶ NUT Cpte. Control	2	2	R	
007202826B11	7	▶ LEVER Draft Control With Hub	1	1		P/40/F08/37
007205402B1	8	▶ BRACKET Control Lever - All Except NST DLX	1	1		
007203410B1	8	▶ BRACKET Control Lever - NST DLX	1	1		
007202824B11	9	▶ BRACKET Quadrant Mtg. Assembly	1	1		P/40/F08/37
005556032R1	10	▶ SCREW Allen	1	1	R	
000012904P04	10	▶ SCREW Allen M6 BP Ergo	2	2	R	C/05/F14/96 C/04/F14/67
007202924C91	11	▶ SLIDER Draft Control	1	1		P/40/F08/37
007202562B1	12	▶ DISC Friction Outer Position	1	1		
003044886R1	13	▶ WASHER Tab	1	1	R	
0030444408R96	14	▶ SLEEVE Complete Position Control - All Except NST DLX	1	1	R	

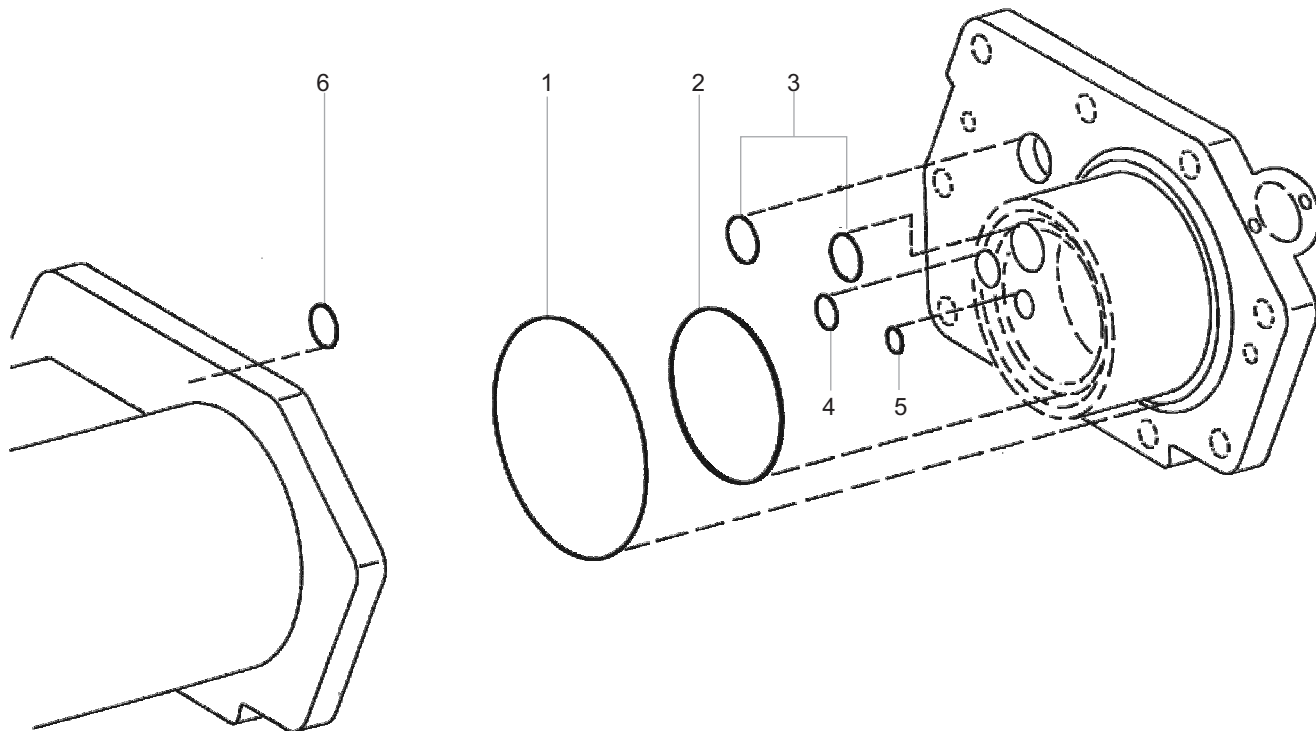


# Control Valve Assembly For Hy-Tec Hydraulics



PART NUMBER	REF.	DESCRIPTION OF PART	QUANTITY		TYPE	REVISION / REMARKS
			60HP	40HP		
007203553B91	1	VALVE Control Assy. For HY-TEC 60HP - 575, 595 NST DLX	1	-		
007203023C91	1	VALVE Control Assy. For HY-TEC 60HP - 575 & 295 Potato Special	1	1	R	P/40/F08/37
007203717B91	1	VALVE Control Assy. For HY-TEC 40HP - 295, 475 NST DLX	-	1		
007203021B91	1	VALVE Control Assy. For HY-TEC 40HP - 255, 265, 275, 295, 475 <i>All Except NST DLX</i>	-	1	R	P/40/F08/37
000179891	2	BOLT	6	6	R	
000179890	3	BOLT	2	2	R	
001082014R2	4	WASHER Spring Lock	6	6	R	
005558124R1	5	PLUG BSP Tapping Auxillary	1	1	R	
000704337R1	6	WASHER Sealing	1	1	R	
000751580R3	7	BOLT Needle Valve Cover	1	1	R	
003045118R1	8	WASHER	1	1	R	
000050818D01	9	LINK Roller	1	1		

# Control Valve - Cylinder Head (O-Rings) For Hy-Tec Hydraulics

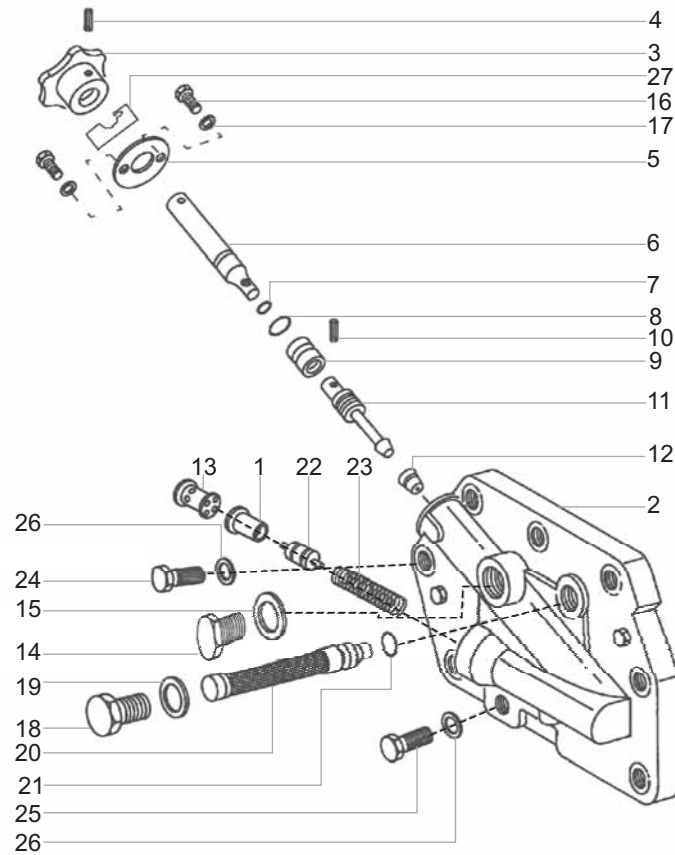


PART NUMBER	REF.	DESCRIPTION OF PART	QUANTITY		TYPE	REVISION / REMARKS
			60HP	40HP		
005554404R1	1	O' Ring Cylinder Head Face Ring 60 HP	1	-	R	
001232895R1	1	O' Ring Cylinder Head Face Ring 40 HP	-	1	R	
005554405R1	2	O' Ring - Spigot 60 HP	1	-	R	
000381871R1	2	O' Ring - Spigot 40 HP	-	1	R	
000021433R1	3	O' Ring Pressure Outlet	2	2	R	
000350667R1	◆		2	2	R	
000377952R1	4	O' Ring	2	2	R	P/45/F09/42
001127542R2	◆		2	2		
000352221R1	◆		2	2	R	
003067183R1	5	O' Ring Pressure Inlet	1	1	R	
000355966R1	◆		1	1	R	
001127546R1	◆		1	1	R	
000379365R1	6	O' Ring	1	1	R	

◆ Alternate Part Number



# Control Valve - Cylinder Head For Hy-Tec Hydraulics



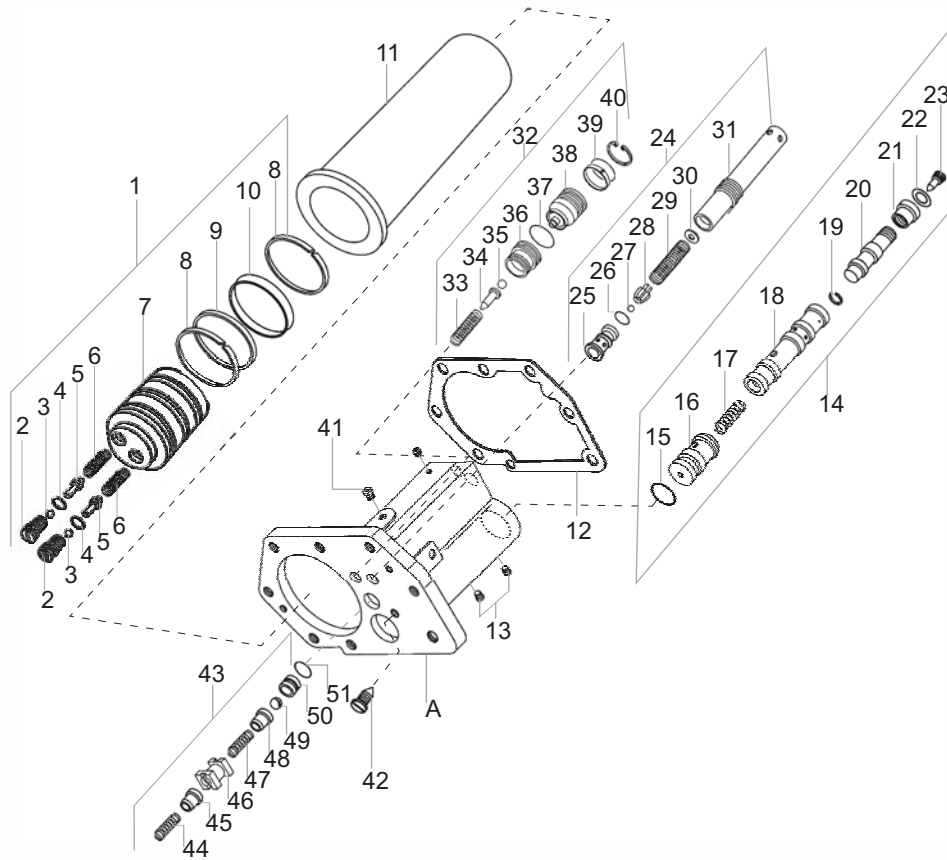
PART NUMBER	REF.	DESCRIPTION OF PART	QUANTITY		TYPE	REVISION / REMARKS
			60HP	40HP		
000051347D02	*	ASSY. Cylinder Head 40 HP	-	1		P/44/F09/38
000051243D02	*	ASSY. Cylinder Head 60 HP Comprising of	1	-		P/44/F09/38
000050943D02	1	▶ SLEEVE Compensator	1	1	R	
000050859D02	2	▶ HEAD Cylinder 60HP	1	-	R	
000051315D02	2	▶ HEAD Cylinder 40HP	-	1	R	
003045102R21	*	ASSY. Isolating Valve Comprising of	1	1	R	
003045113R1	3	▶ KNOB Isolating Valve Shut / Open	1	1		
000017047R1	4	▶ PIN Slotted Spring	1	1	R	
003045104R1	5	▶ PLATE Stop	1	1	R	
003045107R1	6	▶ SHAFT Isolator Valve Knob	1	1	R	
000023524R1	7	▶ O' Ring	1	1	R	
003045116R1	8	▶ O' Ring	1	1	R	
003045106R1	9	▶ BUSH Isolator Valve	1	1	R	
000443137	10	▶ PIN Groove	1	1	R	
003045102R2	11	▶ VALVE Isolator	1	1	R	
003067146R1	12	▶ SEAT Isolator Valve	1	1	R	
000050925D01	13	SPACER Compensator	1	1		
005558124R1	14	PLUG	1	1	R	
000704337R1	15	WASHER	1	1	R	
000179793	16	BOLT	2	2	R	
001082010R2	17	WASHER Spring Lock	2	2	R	

\* Parts Not Illustrated





# Control Valve - Valve Body For Hy-Tec Hydraulics



PART NUMBER	REF.	DESCRIPTION OF PART	QUANTITY		TYPE	REVISION / REMARKS
			60HP	40HP		
007203022C91	A	ASSY. Valve Body with sleeve 60 HP Comprising of	1	-	R	P/40/F08/37
007203020B91	A	ASSY. Valve Body with sleeve 40 HP Comprising of	-	1	R	P/40/F08/37
000051526D01	1	▶ ASSY. Piston 40 HP	-	1	R	
000051525D02	1	▶ ASSY. Piston 60 HP Comprising of	1	-	R	P/43/F09/27
000051521D01	2	▶ PLUG Relief Valve	2	1	R	P/43/F09/27
000051524D01	3	▶ BALL	2	1	R	P/43/F09/27
000379365R1	4	▶ O' Ring	2	1	R	P/43/F09/27
000051523D01	5	▶ RIDER Relief Valve Ball	2	1	R	P/43/F09/27
000051519D01	*	▶ SHIM Rider Relief Valve	2	1	R	
003066410R1	6	▶ SPRING Unloader Valve 40 HP	-	1	R	P/43/F09/27
003066410R2	6	▶ SPRING Unloader Valve 60 HP	2	-		
‡	7	▶ PISTON	1	1	R	
005554403R1	8	▶ RING Cylinder Bearing 60 HP	2	-	R	
000387374R1	8	▶ RING Cylinder Bearing 40 HP	-	2	R	
005554401R1	9	▶ SEAL Ring Retangular Section 60 HP	1	-	R	
000025205R1	9	▶ SEAL Ring Retangular Section 40 HP	-	1	R	
005554402R1	10	▶ RING Outer Seal 60 HP	1	-	R	
000545813R2	10	▶ RING Outer Seal 40 HP	-	1	R	
005554399R1	11	▶ CYLINDER Lift Hydraulic 60 HP	1	-	R	
003044434R1	11	▶ CYLINDER Lift Hydraulic 40 HP	-	1	R	
005555283R3	12	▶ GASKET Valve Body	1	1		

\* Parts Not Illustrated / ‡ Not Serviceable Separately

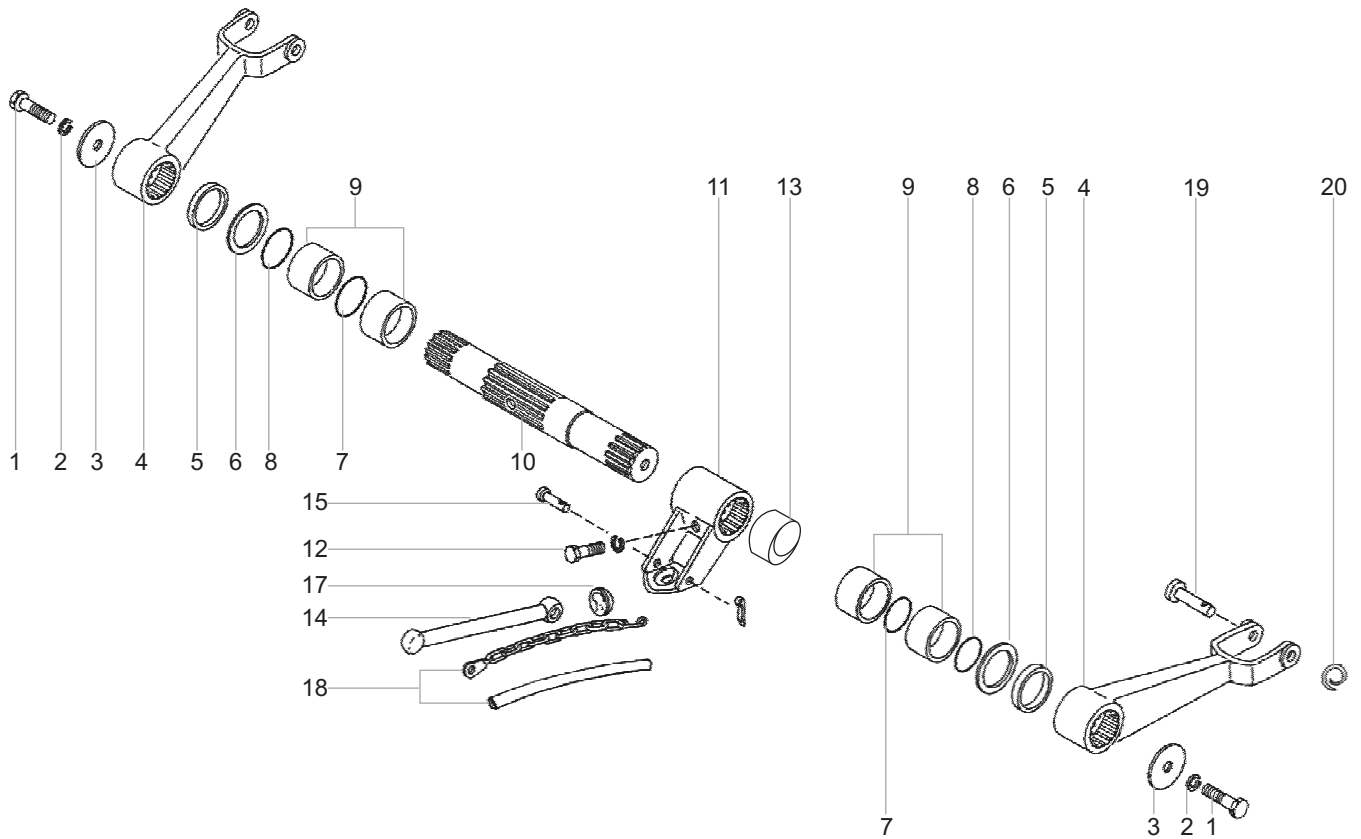
# Control Valve - Valve Body For Hy-Tec Hydraulics

PART NUMBER	REF.	DESCRIPTION OF PART	QUANTITY		TYPE	REVISION / REMARKS
			60HP	40HP		
000444687	13	→ PLUG	4	4	R	
003049088R91	14	→ ASSY. Spool & Sleeve With Circlip	-	-	R	
000385713R1	15	→ O' Ring	1	1	R	
000051166D01	16	→ PLUG Main Sleeve	1	1	R	
000050936D01	17	→ SPRING Main Valve	1	1	R	
‡	18	→ SLEEVE Control Valve	1	1	R	
003040910R1	19	→ CIRCLIP	1	1	R	
000051152D01	20	→ SPOOL Control Valve	1	1	R	
007200443A1	20	→ SPOOL Control Valve for 40/60 HP Size '0'	1	1		
007200444A1	20	→ SPOOL Control Valve for 40/60 HP Size '1'	1	1		
007200445A1	20	→ SPOOL Control Valve for 40/60 HP Size '2'	1	1		
007202704C1	21	→ CAP Main Valve End For - <i>All NST DLX Models</i>	1	1		
000051227D01	21	→ CAP Main Valve End For - <i>All Except NST DLX Models</i>	1	1	R	
000051695D01	22	→ WASHER Spring Lock	1	1	R	
000051038D01	23	→ SCREW Allen	1	1	R	
‡	24	→ ASSY. Valve Relief Bore Comprising of	1	1	R	
007200832C1	25	→ SEAT Relief Valve Integrated	1	1	R	
000377952R1	26	→ O' Ring	1	1	R	P/45/F09/42
003072883R1	27	→ BALL 3/8" Relief Valve	2	2	R	
003108946R3	28	→ BALL Rider Non Return Valve	1	1	R	
000751557R2	29	→ SPRING Relief Valve	1	1	R	
003110027R1	30	→ SHIMS Steel	2	2	R	
003108947R3	31	→ VALVE Relief Spring Housing	1	1		
‡	32	→ ASSY. Valve Regulating Bore Comprising of	1	1	R	
000352026R2	33	→ SPRING Flow Control Valve Ball	1	1	R	
000350084R2	34	→ RIDER Ball	1	1	R	
003072912R1	35	→ BALL Flow Control Valve	1	1	R	
000050993D01	36	→ SEAT Ball Valve	1	1	R	
000704378R1	37	→ O' Ring	1	1	R	
007201178A92	38	→ PISTON Regulating Assembly	1	1		P/53/F11/25
007201180A1	39	→ RING Bearing	1	1	R	
000751567R1	40	→ CIRCLIP (Internal)	1	1	R	
000444697	41	→ PLUG	1	1	R	
000051228D01	42	→ ORIFICE	1	1	R	
‡	43	→ ASSY. Valve Check Bore Comprising of	1	1	R	
007200369C1	44	→ SPRING Check Valve Retainer	1	1	R	
000051157D01	45	→ RETAINER Check Valve	1	1	R	
000051155D01	46	→ SLEEVE Check Valve Ball	1	1	R	
003074227R2	47	→ SPRING Non Return Valve	1	1	R	
003063495R1	48	→ RIDER Ball Non Return Valve	1	1	R	
003072883R1	49	→ BALL Non Return Valve	1	1	R	
000051182D01	50	→ SEAT Check Valve	1	1	R	
000051181D01	51	→ O' Ring	1	1	R	
007202286B91	*	KIT Seal Ring - Regulating piston - Reduced Width	1	1	R	

‡ Not Serviceable Separately / \* Parts Not Illustrated



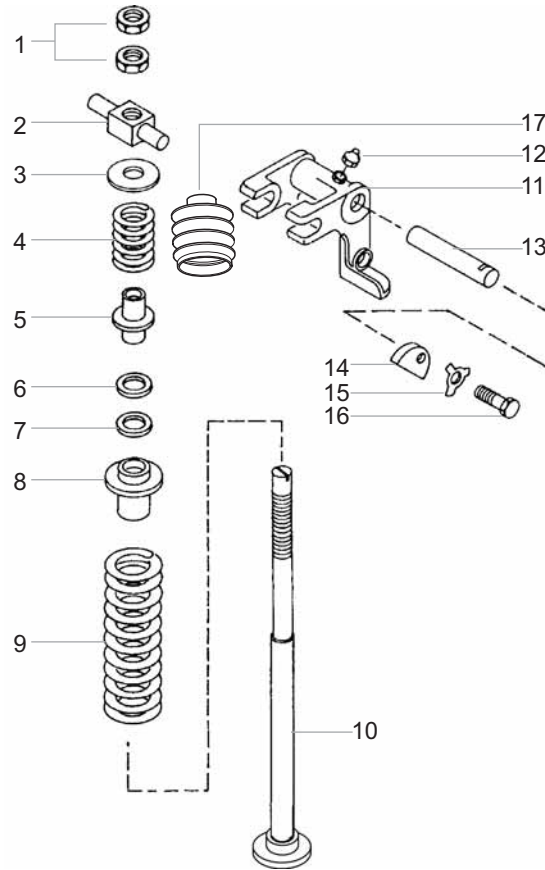
# Lift Arms For Hy-Tec Hydraulics



PART NUMBER	REF.	DESCRIPTION OF PART	QUANTITY		TYPE	REVISION / REMARKS
			60HP	40HP		
000340340R1	1	BOLT	2	2	R	
001082148R1	2	WASHER Spring Lock	2	2	R	
<a href="#">000708922R3</a>	3	<a href="#">PLATE Lift Arm Retaining</a>	2	2	R	<a href="#">A/261/F13/51</a>
007202938C1	3	PLATE Lift Arm Retaining With Hole For Quick Lift	2	2		
007201423B1	4	ARM Lift	2	2	R	<a href="#">A/186/F08/35</a>
001127798R92	5	SEAL Oil Rockshaft	2	2		<a href="#">AA/171F07/39</a>
003044372R1	6	WASHER Rockshaft	2	2	R	
00555258R2	7	O' Ring Rockshaft	2	2	R	
001121176R1	8	SPACER Lift Arm	2	2	R	
001231718R1	9	BUSH Rockshaft	4	4	R	
007202718C1	10	SHAFT Rock	1	1		
007200412A2	11	ARM Rocker	1	1		
001231563R1	12	BOLT Hydraulic Rocker Arm	1	1	R	
007202486B1	13	CAM Rock Shaft	1	1	R	<a href="#">A/157/F07/01</a>
007200413A1	14	ROD Connecting	1	1	R	
007200217B1	15	PIN Std.	1	1	R	
000103384	16	PIN Cotter	1	1	R	
003046977R2	17	BUSH Connecting Rod	1	1		
007200414A92	18	CHAIN Safety Complete.	1	1		
003044309R1	19	PIN Lift Arm	2	2	R	
<a href="#">007201424B1</a>	◆		2	2	R	<a href="#">A/250/F12/19</a>
000050620D02	20	CLIP Spring	2	2	R	

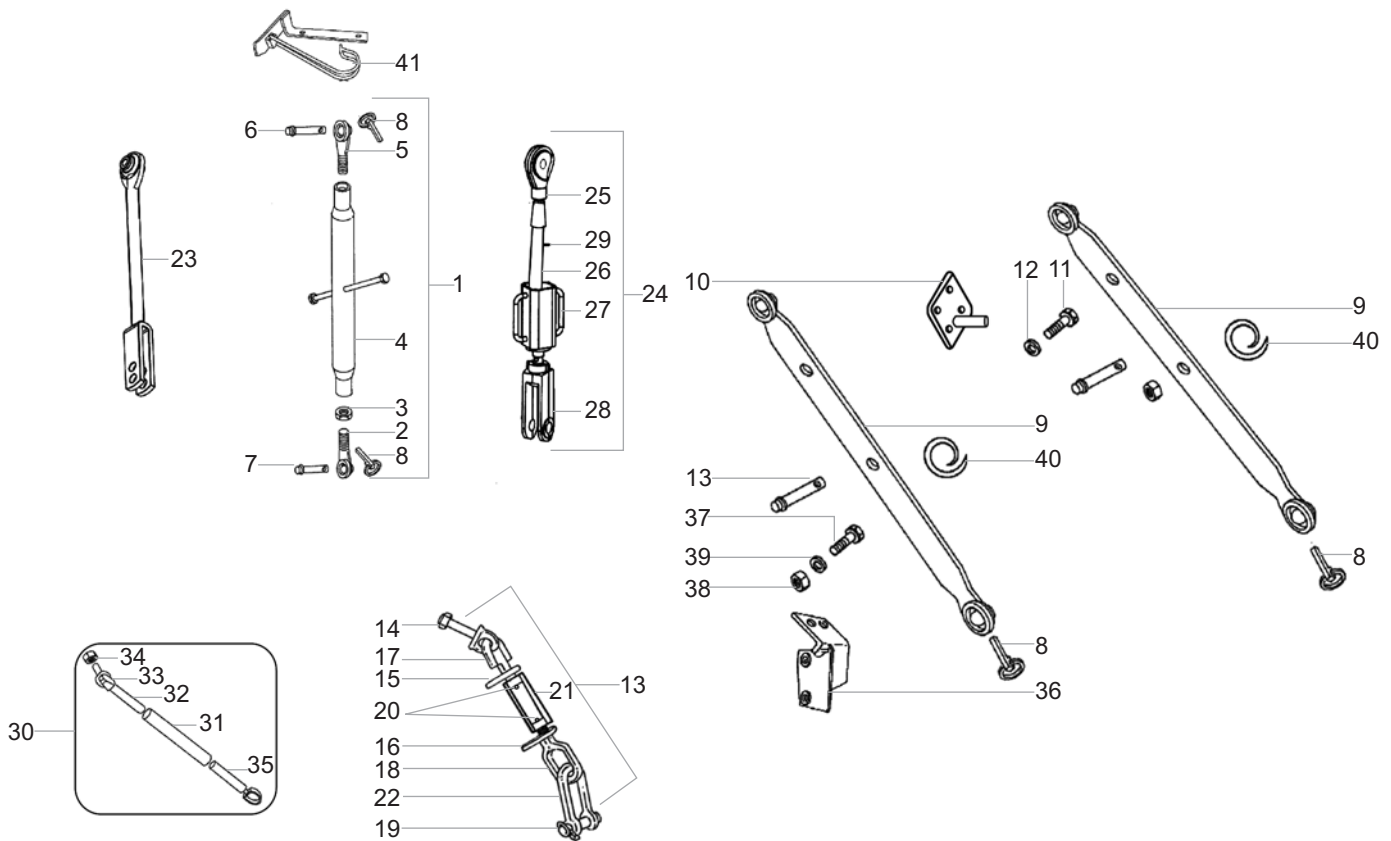
◆ Alternate Part Number

# Bell Crank Assembly



PART NUMBER	REF.	DESCRIPTION OF PART	QUANTITY		TYPE	REVISION / REMARKS
			60HP	40HP		
007201284A1	1	NUT	2	2	R	
007201283A1	2	TRUNION Top Link	1	1	R	
000050934D01	3	SPACER Top Link Spindle	1	1	R	
000751506R4	4	SPRING Toplink Small	1	1	R	
007201302A1	5	SEAT Spring Small	1	1	R	
007201185A92	6	SEAL Oil Mudblock	1	1		
005557971R91	7	SEAL Oil Top Link Spindle - Doule Lip	1	1	R	
003064871R1	8	SEAT Spring	1	1	R	
000751505R1	9	SPRING Top Link (Big)	1	1	R	
007202549B1	10	SPINDLE Toplink with Collar - <i>All Except 595 DI</i>	1	1	R	A/146/F06/17
007201597C1	10	SPINDLE Toplink with Collar - <i>595 DI</i>	1	-		
005557652R1	11	CRANK Top Link	1	1	R	
<a href="#">007205438B1</a>	<a href="#">11</a>	<a href="#">CRANK Top Link For ROBOLIFT.</a>		-	<a href="#">1</a>	<a href="#">P/63/F13/04</a>
001121584R1	12	NIPPLE Grease	1	1	R	
001121062R2	13	SHAFT Top Link Crank	1	1	R	
005554106R1	14	PLATE Top Link Crank Shaft Lock	1	1	R	
001121792R1	15	WASHER Tab	2	2	R	
000179814	16	BOLT	2	2	R	
007200350B3	17	RUBBER Bellow Top Link Spindle	1	1	R	
000704194R2	*	BUSH Top Link	1	1		

# Linkage Three Point For Hy-Tec Hydraulics



PART NUMBER	REF.	DESCRIPTION OF PART	QUANTITY		TYPE	REVISION / REMARKS
			60HP	40HP		
007200630B91	1	LINK Top Complete - 275, 295, 475, 575 DI C/O	1	1	R	
007200835B1	2	▶ EYEBOLT Top Link (Cat I)	1	1	R	
007200838B1	3	▶ PLATE Lock - Top Link	1	1	R	
007200837B11	4	▶ TURNBUCKLE Top Link With Handle	1	1	R	
007200836B1	5	▶ EYEBOLT Top Link Cpte. (Cat II)	1	1	R	
003044339R93	1	LINK Top Complete - 255, 265 DI C/O	-	1		
000704178R21	2	▶ EYEBOLT Top Link (Cat I)	-	1	R	
000426899	3	▶ NUT	-	1	R	
003044340R2	4	▶ TURNBUCKLE Top Link With Handle	-	1	R	
000704177R21	5	▶ EYEBOLT Top Link (Cat II)	-	1	R	
007201940C92	1	LINK Top Complete - 595 DI C/O	1	-		
007201943C12	2	▶ EYEBOLT Top Link (Cat I)	1	-		
007200367C1	3	▶ PLATE Lock - Top Link	1	-		
007201946C12	4	▶ TURNBUCKLE Top Link With Handle	1	-		
007201944C12	5	▶ EYEBOLT Top Link (Cat II)	1	-		
005557693R2	6	PIN Top Link Cat - 1	1	1	R	PA/39/F08/19
007200458A91	7	PIN Top Link Cat - 2 - All Except 475, 575 NST MKM Wetland	1	1		
005557694R1	7	PIN Top Link Cat - 2 - 475, 575 NST MKM Wetland	1	1	R	
007200598C91	8	PIN Lynch Assy.	2	2	R	
007603100B91	9	LINK Lower LH Cpte. - 595 DI	1	-		
007603102B91	9	LINK Lower RH Cpte. - 595 DI	1	-		



# Linkage Three Point For Hy-Tec Hydraulics

PART NUMBER	REF.	DESCRIPTION OF PART	QUANTITY		TYPE	REVISION / REMARKS
			60HP	40HP		
007202583B91	9	LINK Lower LH/RH Cpte. - 255, 265, 275 DI & 295 NST	-	2	R	A/160/F07/08
007200387A91	9	LINK Lower LH/RH Cpte. - All 475, 575 Except NST DLX	2	2	R	
007604533B11	9	LINK Lower LH Cpte. - 295, 475, 575 NST DLX	1	1		
007604532B11	9	LINK Lower RH Cpte. - 295, 475, 575 NST DLX	1	1		
007207109C91	10	BRACKET Lower Link Mtg LH - 595 DI	1	1		P/82/F14/79
007207111C91	10	BRACKET Lower Link Mtg RH - 595 DI	1	1		P/82/F14/79
007201412B92	10	BRACKET Lower Link Mtg LH - All Except 595 DI	1	1		A/192/F08/51
007201413B92	10	BRACKET Lower Link Mtg RH - All Except 595 DI	1	1		A/192/F08/51
007600866A1	11	BOLT - Drawbar Plate Mounting	1	1		A/155/F06/37
000114606	12	WASHER	1	1		
007202769B92	13	ASSY. Check Chain - 255, 265, 275 & 295 D/W C/O	-	2	R	A/256/F12/51
005556384R1	14	▶ NUT Nylock	-	2	R	
007202621B1	15	▶ WASHER Lock - LH	-	2		
007202623B1	16	▶ WASHER Lock - RH	-	2		
007202894B1	17	▶ BOLT Adjustment Lower Link End	-	2		
007202892B1	18	▶ BOLT Adjustment Check Chain Bkt.End	-	2		
007202624B2	19	▶ PIN Standard Head	-	2		
000103386	20	▶ PIN Cotter		-	2	
007202893B1	21	▶ KNUCKLE Check Chain	-	2		
007201949B91	13	ASSY. Check Chain - Potato Special - 295	-	2	R	
007202582B91	13	ASSY. Check Chain - All - M20 Thread - 295 OIB, 475, 575 DI C/O	2	2		A/160/F07/08
005556384R1	14	▶ NUT Nylock	2	2	R	
005556377R1	15	▶ WASHER Lock - LH	2	2	R	
005556376R1	16	▶ WASHER Lock - RH	2	2	R	
007201459A91	17	▶ BOLT Adjustment Lower Link End	2	2		
007201456A1	18	▶ BOLT Adjustment Check Chain Bkt. End	2	2		
005556380R1	19	▶ PIN Standard Head	2	2	R	
000103386	20	▶ PIN Cotter	2	2		
007201457A1	21	▶ KNUCKLE Check Chain	2	2		
005556379R1	22	▶ SHACKLE Check Chain	2	2	R	
007603461B11	23	LIFT Rod LH - 595 DI	1	-		
007201120B91	23	LIFT Rod LH - 475, 575 DI	1	1	R	
007202146B91	23	LIFT Rod LH - 255, 265, 275, 295 DI	-	1	R	
007603464B11	24	LIFT Rod RH Cpte. - 595 DI	1	-		
007201707C11	25	▶ EYEBOLT RH Lift Link	1	-		
007201708C12	26	▶ TUBE Cpte. RH Lift Link	1	-		
007201714C11	27	▶ HANDLE Assy Turnbuckle	1	-	R	
007603463B11	28	▶ FORK End Turnbuckle	1	-		
007200833B93	24	LIFT Rod RH Cpte. - 475, 575 DI C/O	1	1	R	
007202147B91	24	LIFT Rod RH Cpte.- 255, 265, 275, 295 DI C/O	-	1	R	
007201119B11	25	▶ EYEBOLT RH Lift Link	1	1	R	
007204912B1	26	▶ TUBE Cpte. RH Lift Link	1	1		
007201520B1	27	▶ HANDLE Assy Turnbuckle	1	1	-	
007201521B91	28	▶ FORK End Turnbuckle - 475, 575 DI	1	1		





